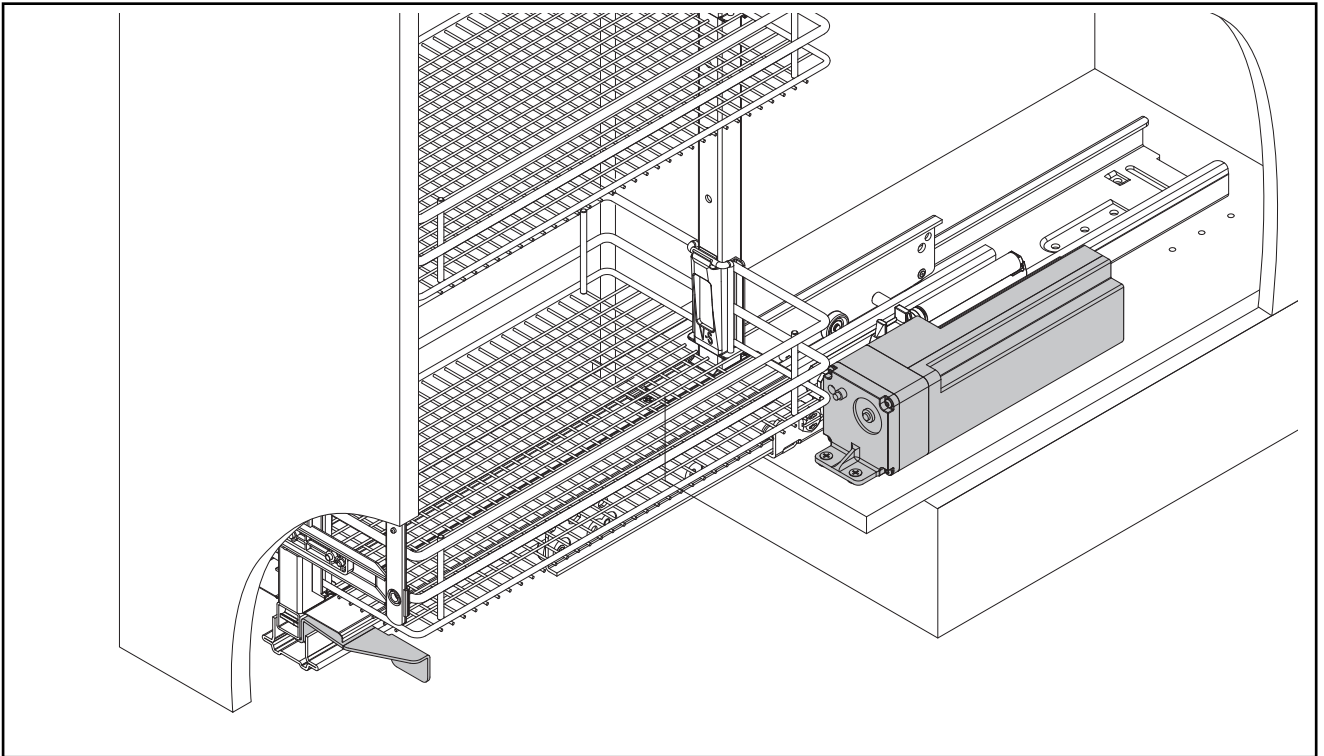


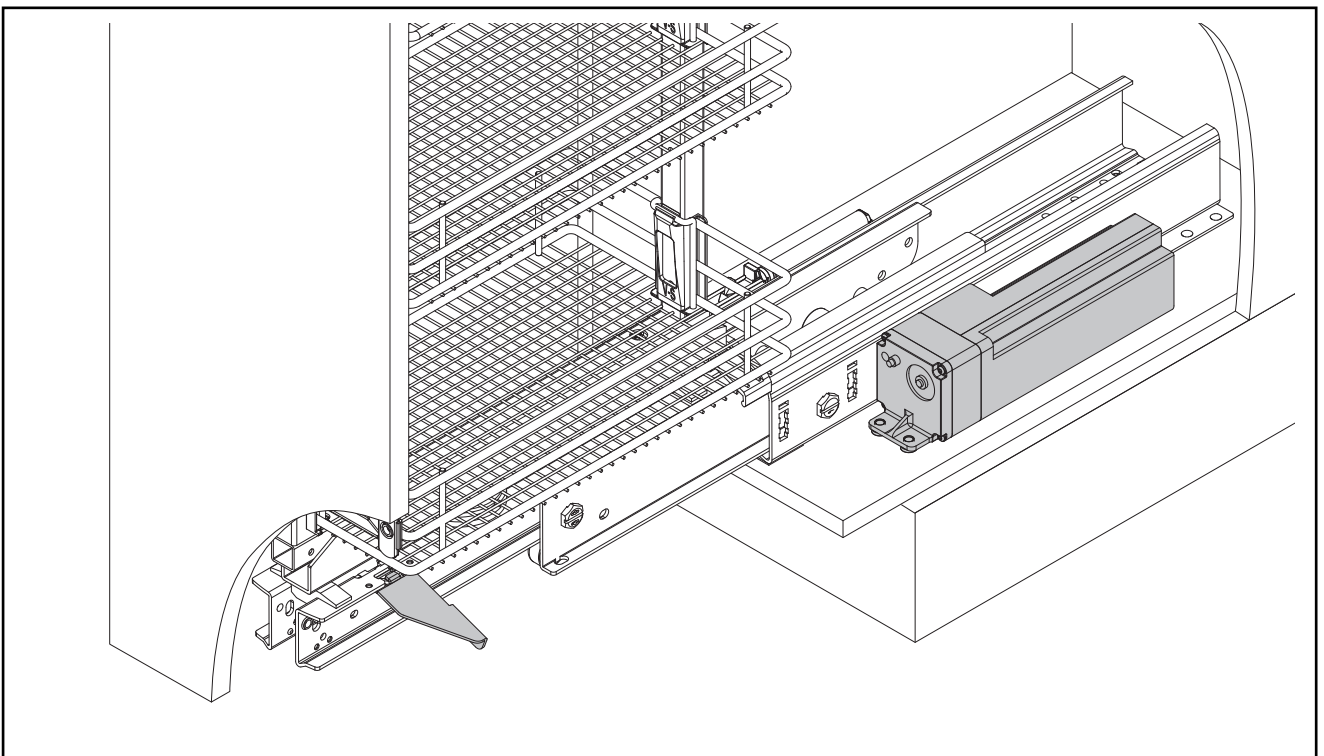


HSA power move®

Operating and installation manual



HSA rotary power move®



Important document for the end customer



Index	Page
1. GENERAL EXPLANATIONS	3
1.1 Introduction	
1.2 Proper use	
1.3 Safety instructions	
2. EQUIPMENT	4
3. FEATURES	5
4. INSTALLATION HSA and HSA rotary	5-7
5. ELECTRICAL CONNECTIONS	8
6. FUNCTIONAL DESCRIPTION-OPERATION	9
7. SYMBOLS USED	10
8. TYPE PLATES	10
9. TECHNICAL DATA	10
10. DIAGNOSING PROBLEMS/TROUBLESHOOTING	11
11. CLEANING AND MAINTENANCE	12
12. DISPOSAL	12
13. MATERIAL DEFECTS AND PRODUCT LIABILITY	12

I. GENERAL EXPLANATIONS

I.1 Introduction

The HSA power move® has been built in compliance with the German and European standards, regulations and guidelines currently valid, and thus corresponds to the generally recognised rules of technology at the time of delivery.

I.2 Proper use

The HSA power move® is used to support the opening of tall cabinets. It may only be used in accordance with the operating and installation instructions, in combination with authorised Vauth-Sagel products and the original system components. We do not accept any liability and warranty for use deviating from the proper use.

I.3 Safety instructions



“Caution“

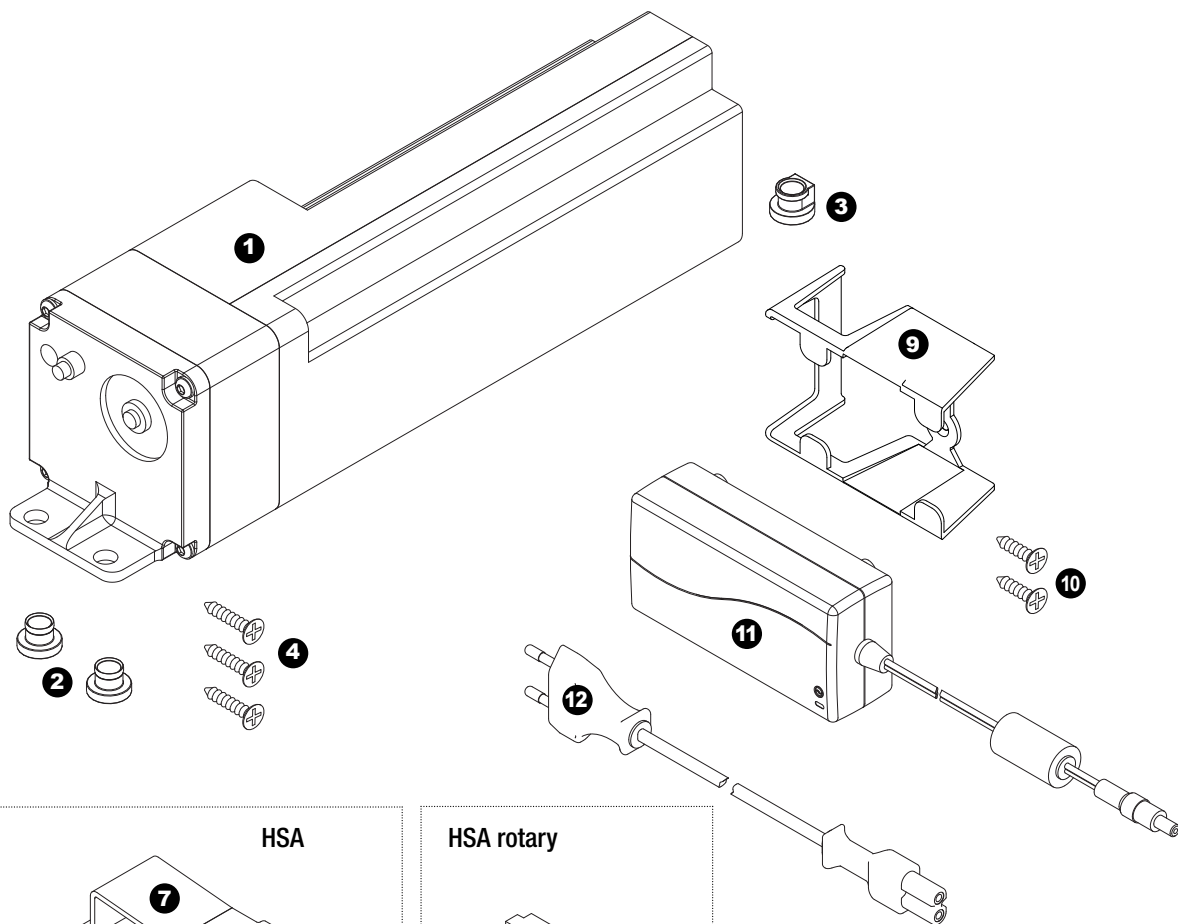
- Read the operating and installation instructions through completely to avoid damage caused by faulty operation or non-observance of the operating and installation instructions.
- Store the operating and installation instructions carefully during the whole product service life.
- Pass the operating and installation instructions on to subsequent owners or users.
- When installing the HSA power move®, the general requirements concerning safe design as well as country-specific standards and legal requirements must be taken into consideration.
- Care must be taken that cables are routed correctly => no crushed, sheared or bent spots. Sharp edges can lead to cable damage.
- Mains plug or connection mains cable–mains adapter must be accessible so that the mains adapter can be disconnected from the power supply.
- The system must be made currentless by removing the plug from the mains socket before any monitoring, repairs or cleaning are carried out on the system.
- The system must not be used if damaged.
- Never open the mains adapter or the drive unit (fatal danger through electric shock)
- Repairs may only be carried out by an authorised specialist.
- Only original spare parts may be used.
- The drive unit may only be operated with the original mains adapter.
- Never connect any other devices to the mains adapter.
- Only ever use a damp cloth to clean the mains adapter and the drive unit, never use any caustic cleaning agents.
- The system is only intended for use indoors in dry rooms.
- Protect the system from humidity – fatal danger through electric shock if humidity penetrates the mains adapter.
- Never cover the mains adapter and the drive unit with cloths or other objects.
- Supervise any children who are in the room. They can fall or hurt themselves if a pull-out slides out.
- We recommend connecting the mains adapter to a socket that can be switched off so that the system can be switched off to avoid unintentional actuation.
- With the cabinet open, never press the trigger pin of the drive unit with your hand, since the spindle extends immediately (danger of injury). Keep a particular eye on children!
- We recommend the installation of this item to be carried out by a qualified electrician.



2. EQUIPMENT

Pos.	Component
------	-----------

- | | |
|----|---|
| 1 | Drive unit |
| 2 | Rubber base front (2x) |
| 3 | Rubber base rear (1x) |
| 4 | Spax countersunk screw 5 x 20 (3 x) |
| 5 | Self-locking hexagon nut M5 (1 x) |
| 6 | Nut holder |
| 7 | Ejection lever |
| 8 | Countersunk screw M5 x 10 (1x) |
| 9 | Mains adapter bracket |
| 10 | Spax countersunk screw 4 x 16 (2 x) |
| 11 | Mains adapter, cable length 1.5 m (output side) |
| 12 | Mains cable, length 2 m |

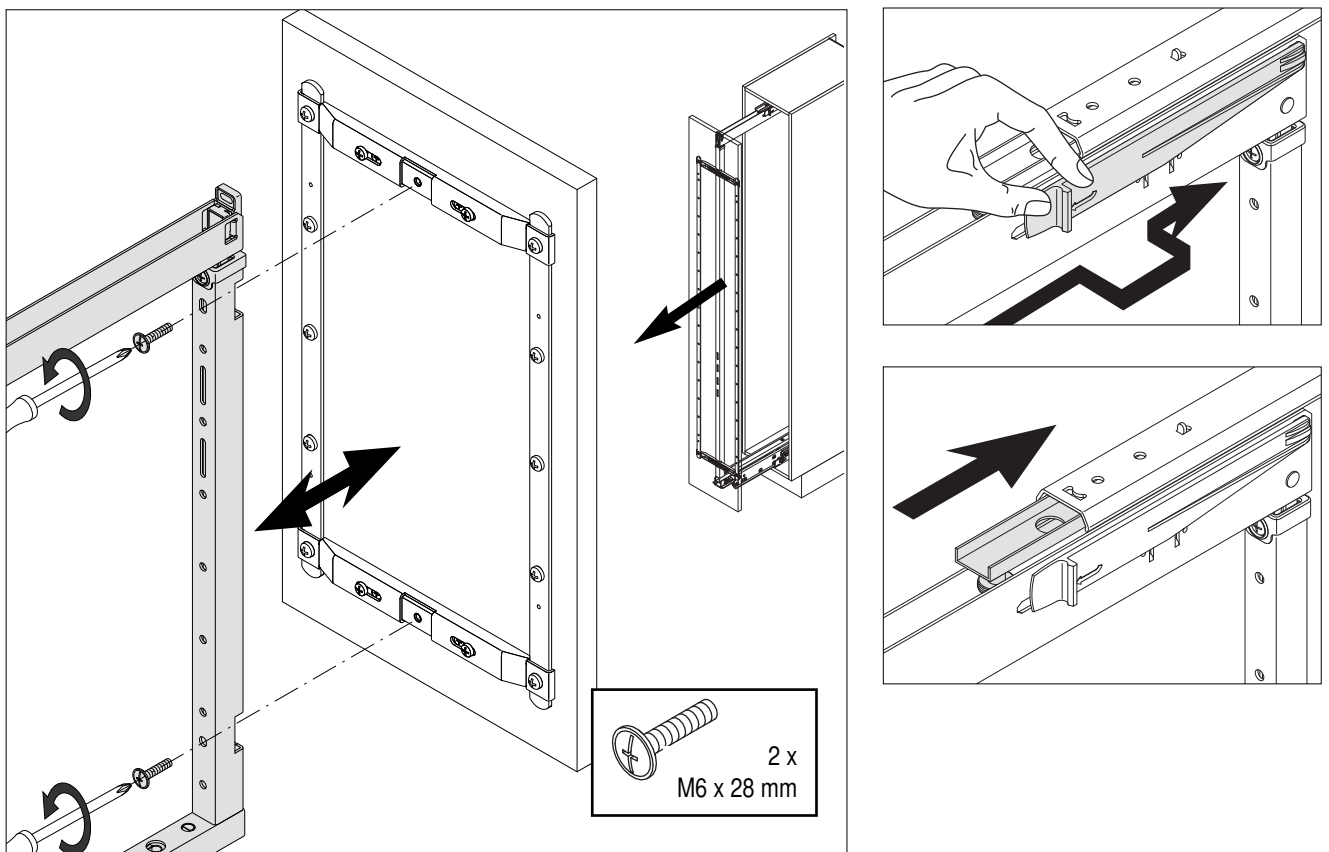


3. FEATURES

The HSA power move® has been developed to support the opening of Vauth-Sagel tall cabinet pull-outs and has the following features:

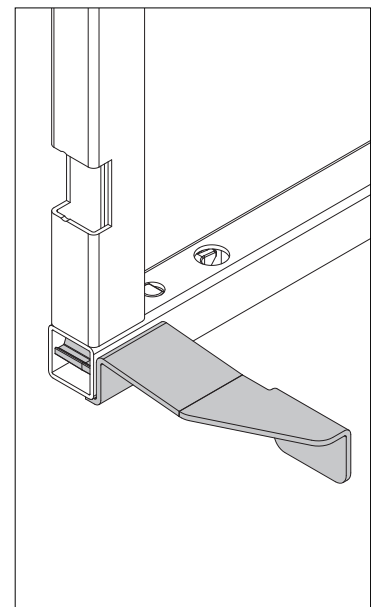
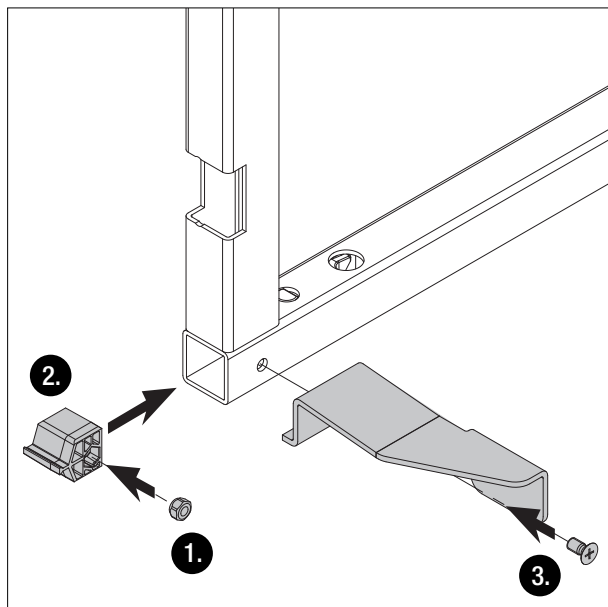
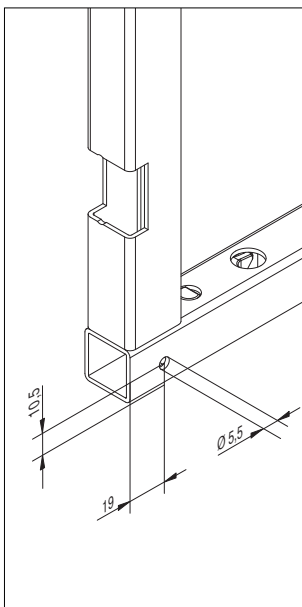
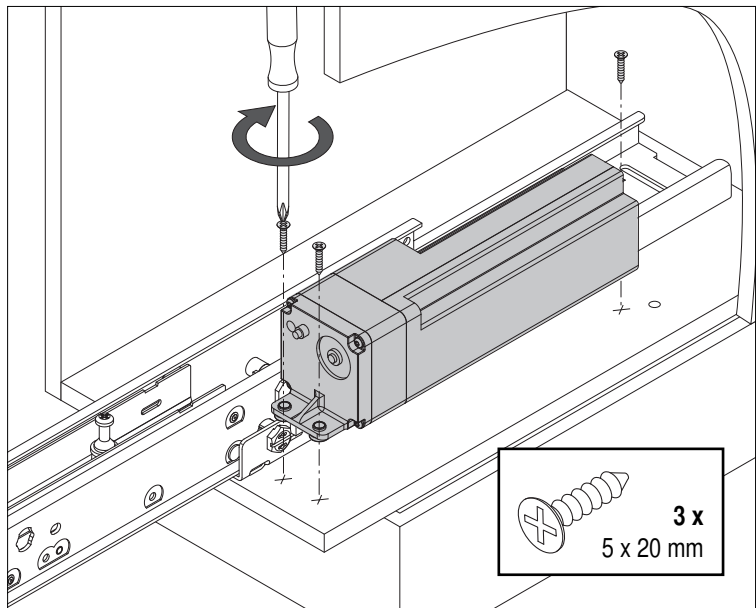
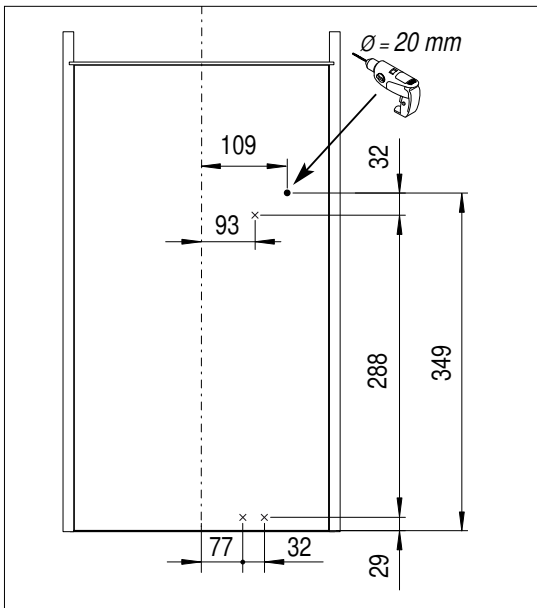
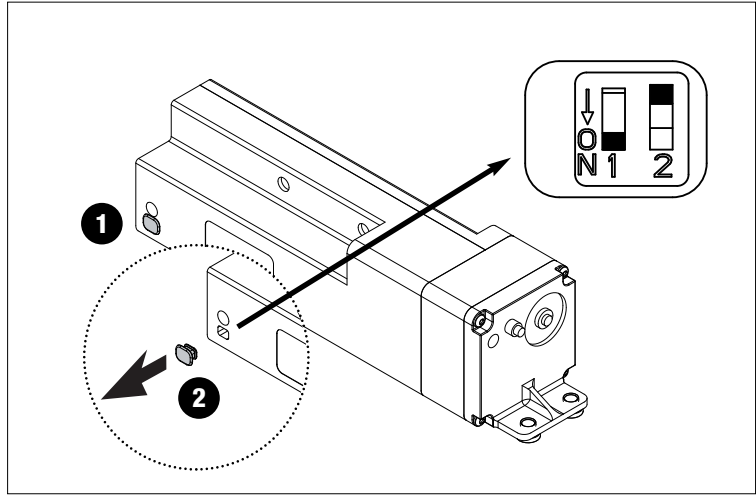
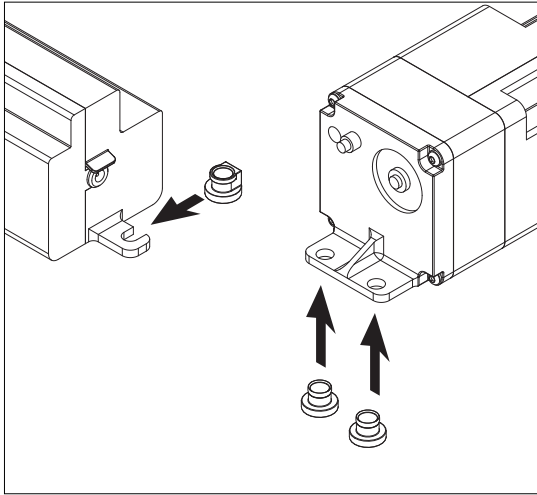
- Easy opening of the tall cabinet thanks to electromotive support
- Drive control dependent on load
- Triggering of the opening impulse by lightly pulling or pressing the cabinet front
- Front clearance can be set on the drive
- Minimisation of noise transmitted to the corpus thanks to rubber dampers
- Interruption of the slide-out movement in the event of a blockage
- If power fails, the tall cabinet can be used like a normal, non-supported tall cabinet

4. INSTALLATION HSA Building out the frame

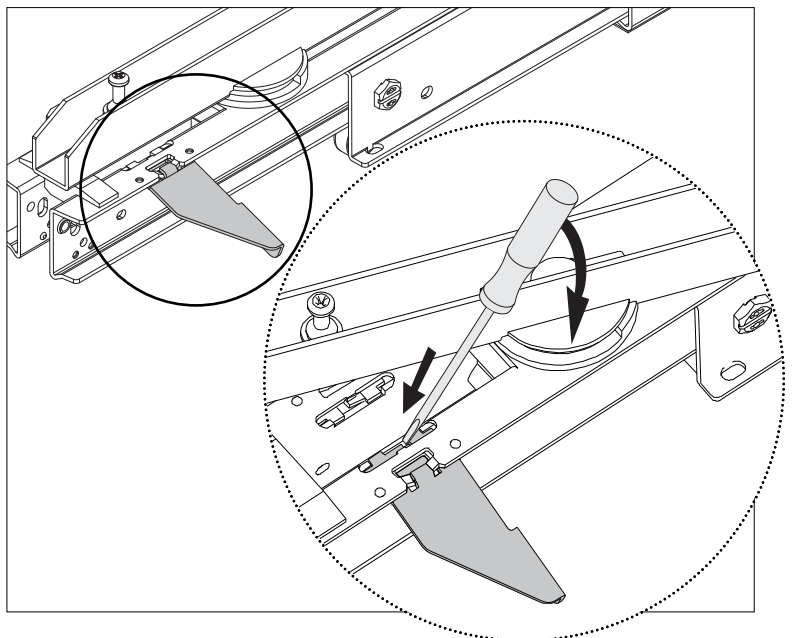
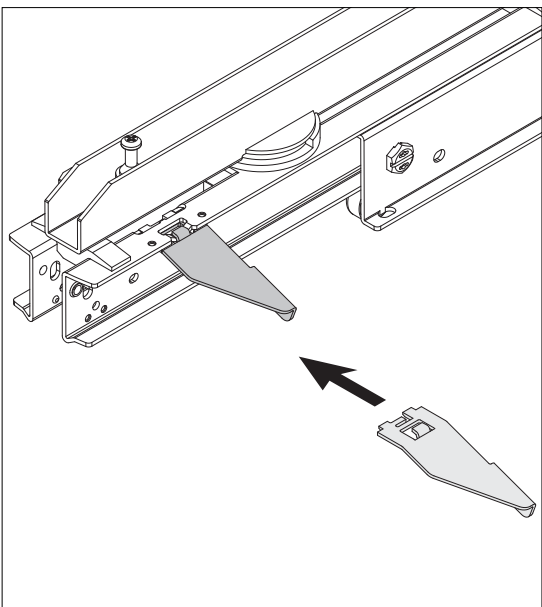
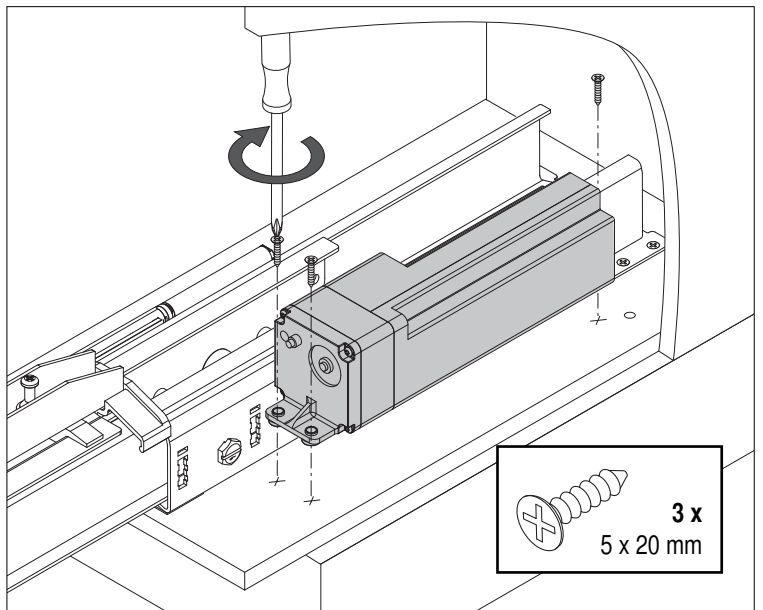
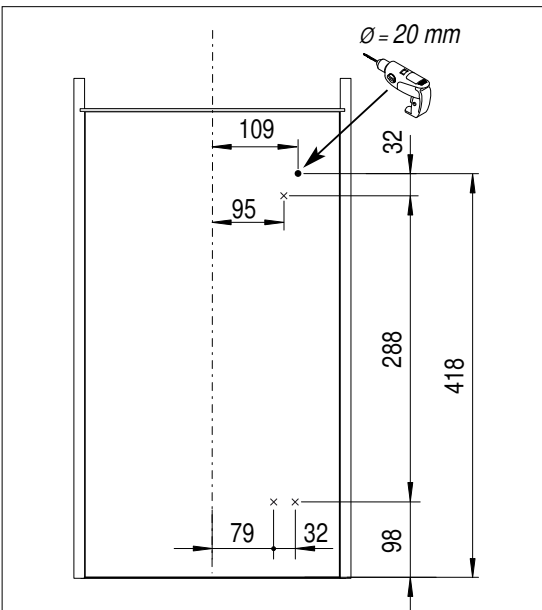
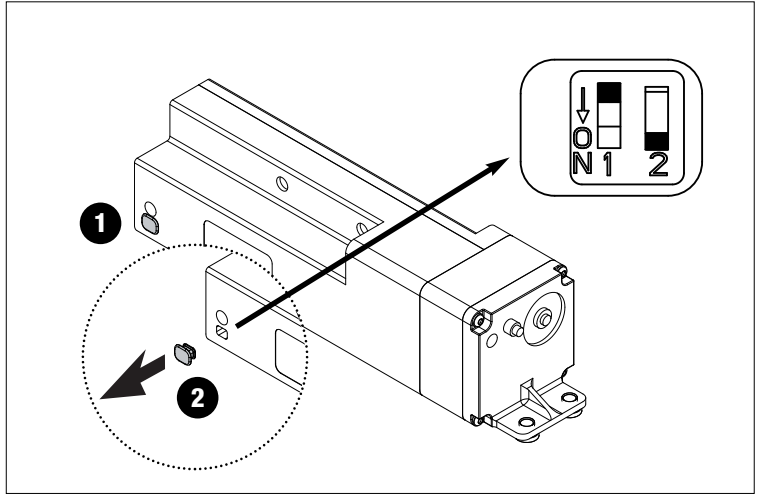
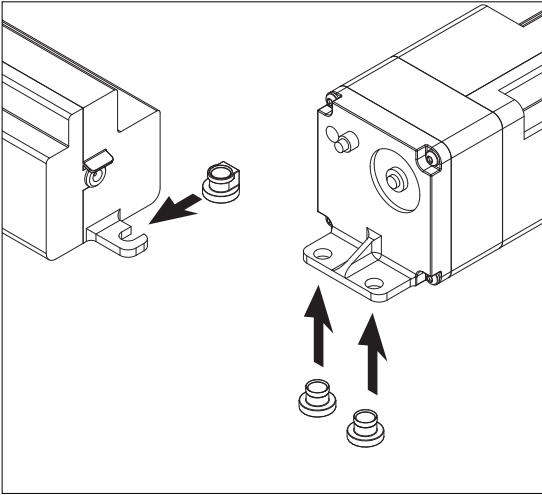




4. **INSTALLATION HSA** Ejection lever and drive unit



4. INSTALLATION HSA rotary

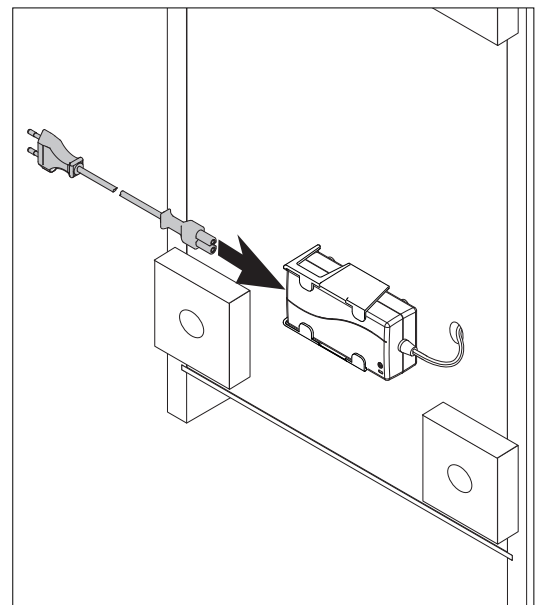
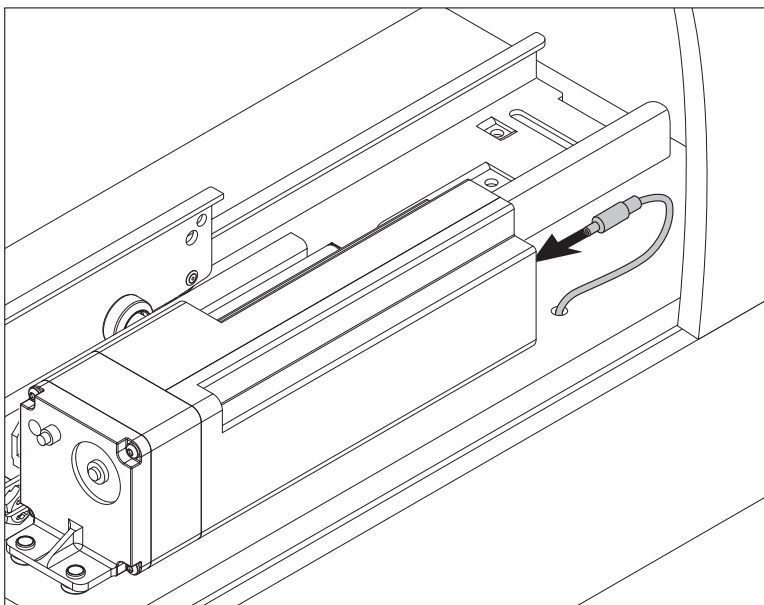
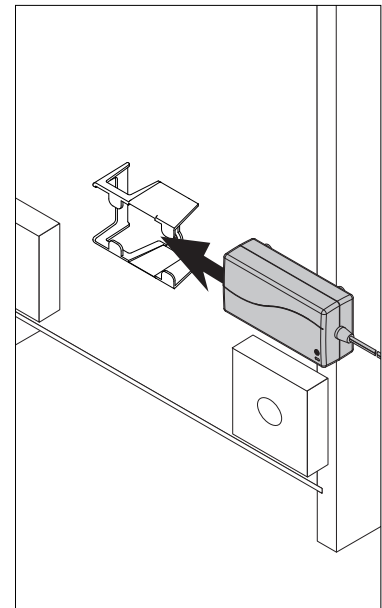
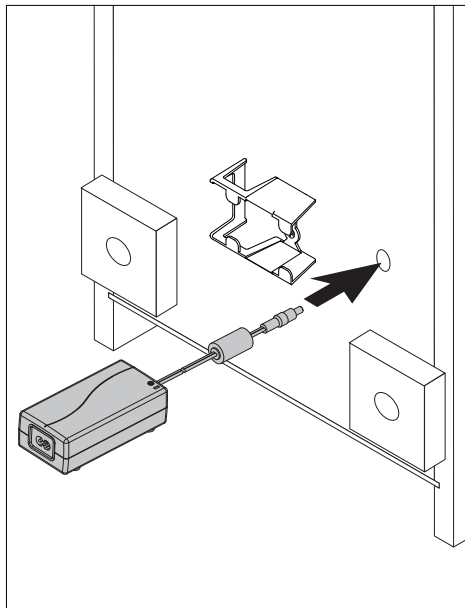
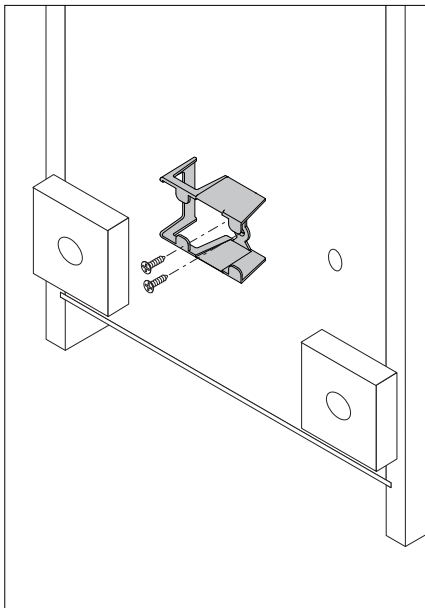
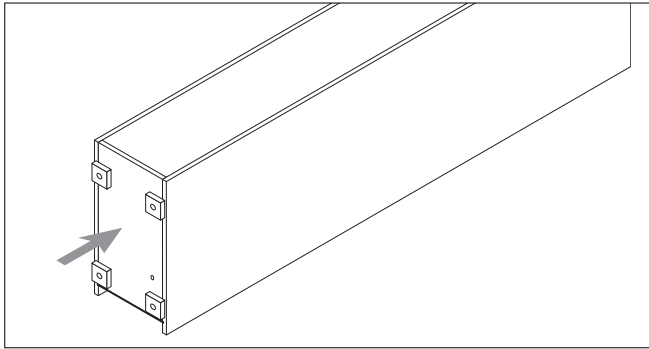




5. ELECTRICAL CONNECTIONS (HSA and HSA rotary)

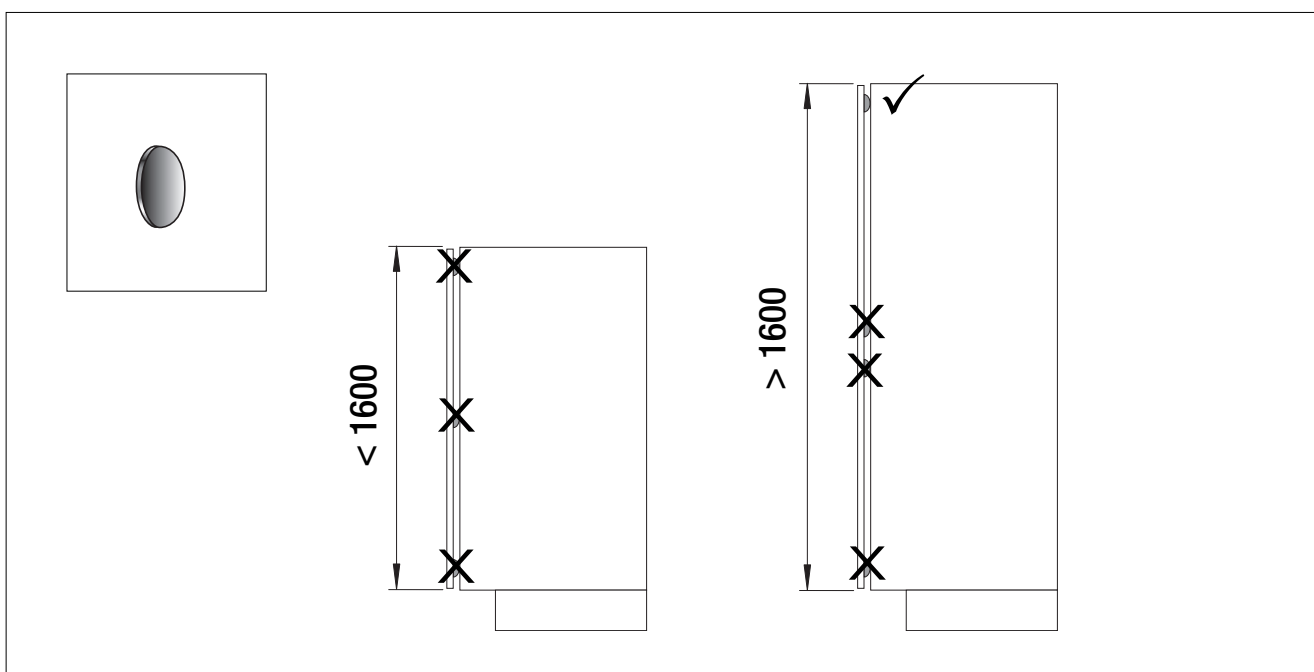
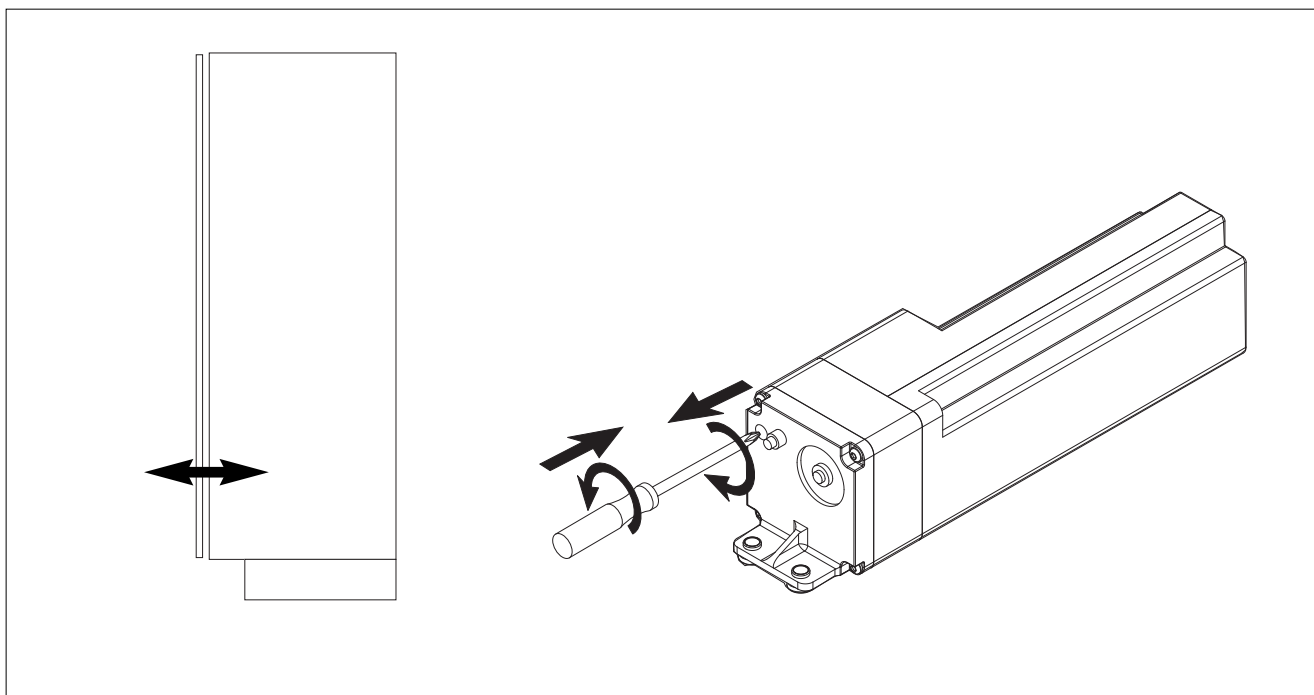
Note: Only insert the mains plug after all the components have been installed correctly and all the other connections have been set up.

The system may only be connected to the mains voltage specified in section 9.



6. FUNCTIONAL DESCRIPTION-OPERATION

The trigger pin of the drive unit holds the pull-out or the cabinet front in a position in front of the corpus that can be set using a cross-slot screwdriver. Pressing or pulling the front actuates the trigger pin and triggers the opening impulse. The spindle on the drive unit moves the pull-out out with a controlled movement into the opened position and moves straight back into the final position. The pull-out can subsequently be closed.





7. SYMBOLS USED

	Indication of danger Heed the operating instructions
	For use indoors
	Protective class II, protective insulation
	Protective class III, safety extra-low voltage
AB 1 min/10 min	Only operate the system in intermittent mode! Observe a break of at least 10 minutes after a maximum of 1 minute permanent operation! With shorter operating times, the intermittent times can be reduced in the same ratio.
	Symbol for the observance of standards and regulations that are relevant for the prescribed proper use.

8. TYPE PLATES

The type plate on the drive unit.



9. TECHNICAL DATA

Mains adapter	Mains voltage	AC 100-240 V ~ , 50-60 Hz
	Output	DC 24V, 2,5A, (60W)
	Outer dimensions	W60, H38, L120
Drive unit	Supply voltage	24V
	Power	max. 30W
	Type of operation	AB, max. 1 min/10 min
	Outer dimensions	W71, H75, L303
	Application range	Indoors, in dry rooms
	Ambient temperature	+10°C to +40°C

10. DIAGNOSING PROBLEMS/TROUBLESHOOTING

Problem	Possible cause	Remedy
The pull-out does not open, neither when pressed nor pulled.	Power failure	Check the fuses and consult an electrician if necessary.
	The switchable socket is switched off	Check whether the switchable socket is switched on.
	Plugs are not inserted correctly.	Check all the plug connections for a tight fit (see section 5).
	Damage or faults to cables, drive unit or mains adapter.	Damaged or faulty parts must be replaced by original spare parts by an authorised specialist.
	Adjustment release pin	Adjust the release pin with the screw. (see section 5)
	Complete installation	Release arm missing: Install the release arm (part 7) as shown in the installation instruction. Release arm loose: Lock up the screw (part 8), there for you have to disassemble the frame (see section 4)
	Wrong position of the drive unit	Please check the correct position of the drive unit (see section 4)
The pull-out opens when pulled but not when pressed	There is an object between the cabinet front and the corpus.	Remove the object.
	The distance between the cabinet front and the corpus is set too small.	Set the distance between the cabinet front and the corpus larger (see section 6)
	The guide profiles have been displaced.	Reference the guide again – push the fitting in firmly to the end stop.
	Door buffer	The door buffers are installed in the lower area of the front and are blocking the indentation of the door. Remove the door buffer in this area.
	Door buffer material	The material of the door buffers are too hard, the door buffer cannot be compressed.
The green POWER diode on the mains adapter is not lit.	Power failure	Check the fuses and consult an electrician if necessary.
	The switchable socket is switched off	Check whether the switchable socket is switched on.
	Plugs are not inserted correctly	Check the plug connections of the mains cable for a tight fit (see section 5).
	Damage to the mains cable. The mains adapter is defect.	Damaged cable or defective mains adapter must be replaced by original spare parts by an authorised specialist.



11. **CLEANING AND MAINTENANCE**

The system must be made currentless by removing the plug from the mains socket before any monitoring or cleaning is carried out on the system.

Do not clean if there is visible damage to the cables, plugs or housings. Have an authorised specialist replace the damaged parts.

The system can be cleaned using a dry or damp cloth.

12. **DISPOSAL**

The product must not be disposed of with domestic waste!

Disposal or recycling of the product must be carried out according to national and local regulations!

13. **MATERIAL DEFECTS AND PRODUCT LIABILITY**

- ❑ The manufacturer is not liable for damage caused by improper handling, wear, maintenance or other actions.
- ❑ Legal claims from material defects liability become time-barred one year after handover of the goods. A durability guarantee is thus not given.
- ❑ The customer is obliged to fulfil his examination obligation according to § 377 German Commercial Code, including if the goods are resold.
- ❑ The manufacturer has the right to choose between improvement and re-delivery.
- ❑ The expenses required for later fulfilment are not to be borne by the manufacturer in as far as the expenses are higher due to the goods being brought to a location other than the customer's business location after delivery. This does not apply when the passage corresponds to the good's proper use.
- ❑ The customer's right of recourse against the manufacturer on account of such claims of material defect liability which are made against the ordering party by its clients, is excluded if the customer does not fulfil his examination and notice of non-conformity.
- ❑ The customer may only use the goods for the proper purpose and must make sure that the goods are only re-sold to people who are aware of the product dangers and risks.
- ❑ The manufacturer's liability according to the legal regulations for damage claims is unlimited if the manufacturer has deliberately neglected his duty or is guilty of gross negligence. As far as the manufacturer's neglect of duty is due to simple negligence or an important contractual duty has been violated, the damage claim liability is limited to the predictable damage that occurs in comparable cases. Otherwise liability is excluded.
- ❑ This does not affect liability according to the conditions of the product liability law. Liability on account of culpable injury to life, body and health is not affected either.

We reserve the right to make technical changes for reasons of technological progress.

The texts and drawings do not necessarily correspond to the scope of supply or a spare parts order.
Sketches, graphs and drawings are not to scale.

Publisher:

Vauth-Sagel Systemtechnik GmbH & Co. · Neue Straße 27 · D-33034 Brakel-Erkeln · Tel. +49 (0) 5272 601-01 · Fax +49 (0) 5272 601-193

Copies, even extracts, may only be made following agreement with the publisher

All rights reserved

